

Antenna, Whip R/A

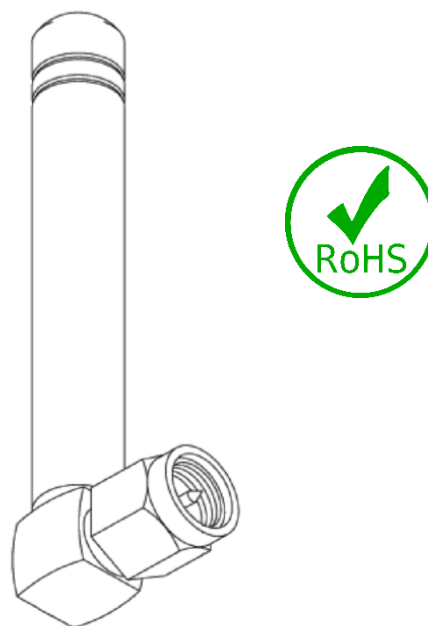
ERF4032

Description

The ERF4032 is a black GSM antenna with SMA male connector. The antenna can also be used in the 868MHz frequency band. The antenna can be used for applications such as, M2M, GSM/GPRS, LoRa and Zigbee.

Networks / communications protocols

- GSM/GPRS
- LoRa
- Zigbee
- LTE-M CAT-M
- NB-IoT
- Cellular



Features

Electrical Properties

Description

Frequency marker	Frequency band MHz	Return loss dB	V.S.W.R.
1	800	-9.3	< 2.0
2	868	-16.3	< 1.4
3	900	-10.1	< 1.9
4	915	-8,7	<2.2
5	1.800	-12,5	< 1.6
6	1.900	-7,5	< 2.6
7	2.100	-3,4	< 5.2
8	2.600	-0,8	< 21.7
Nominal Impedance:	50 Ω		
Polarization:	Linear		

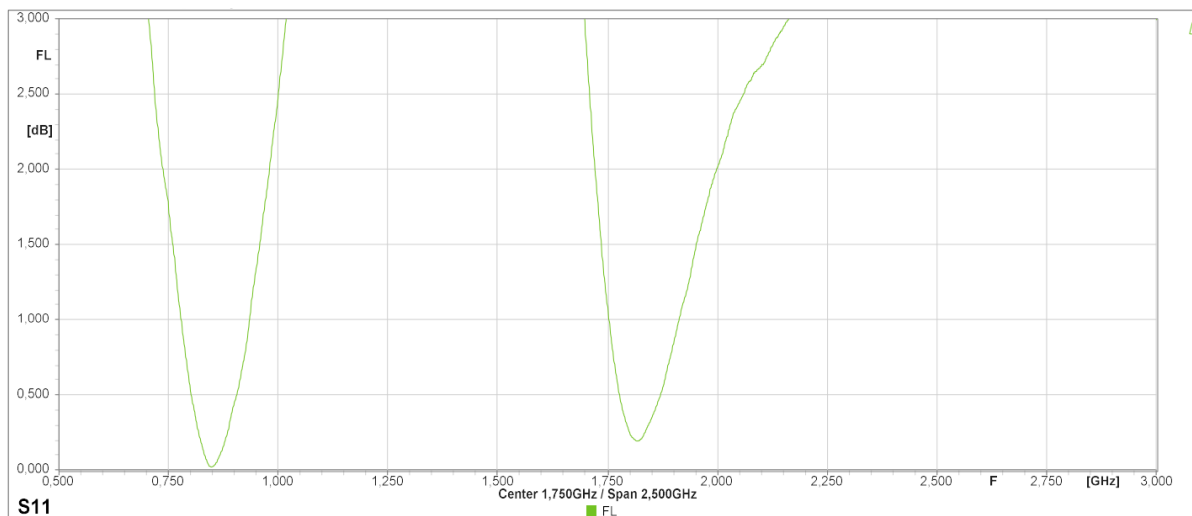
Antenna, Whip R/A

ERF4032

Mechanical Properties	Description
Antenna	External Stubby Antenna
Mounting	Screw Type
Connector	SMA Male
Antenna Dimensions	53.5 mm \pm 0.5
Operating Temperature	-20°C~+60°C
Storage Temperature	-30°C~+70°C

Antenna Properties

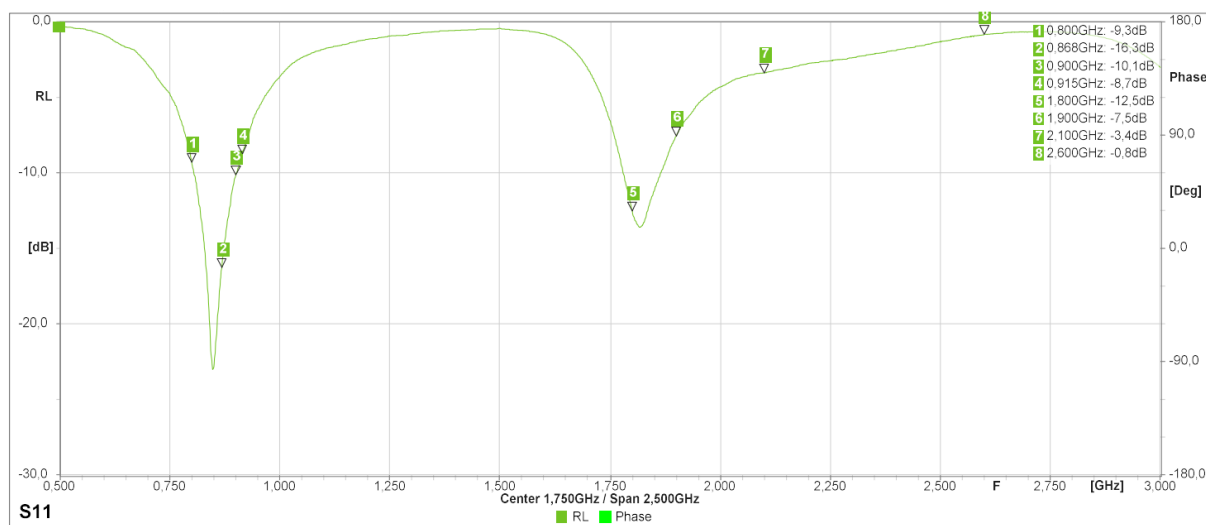
Return Loss



Antenna, Whip R/A

ERF4032

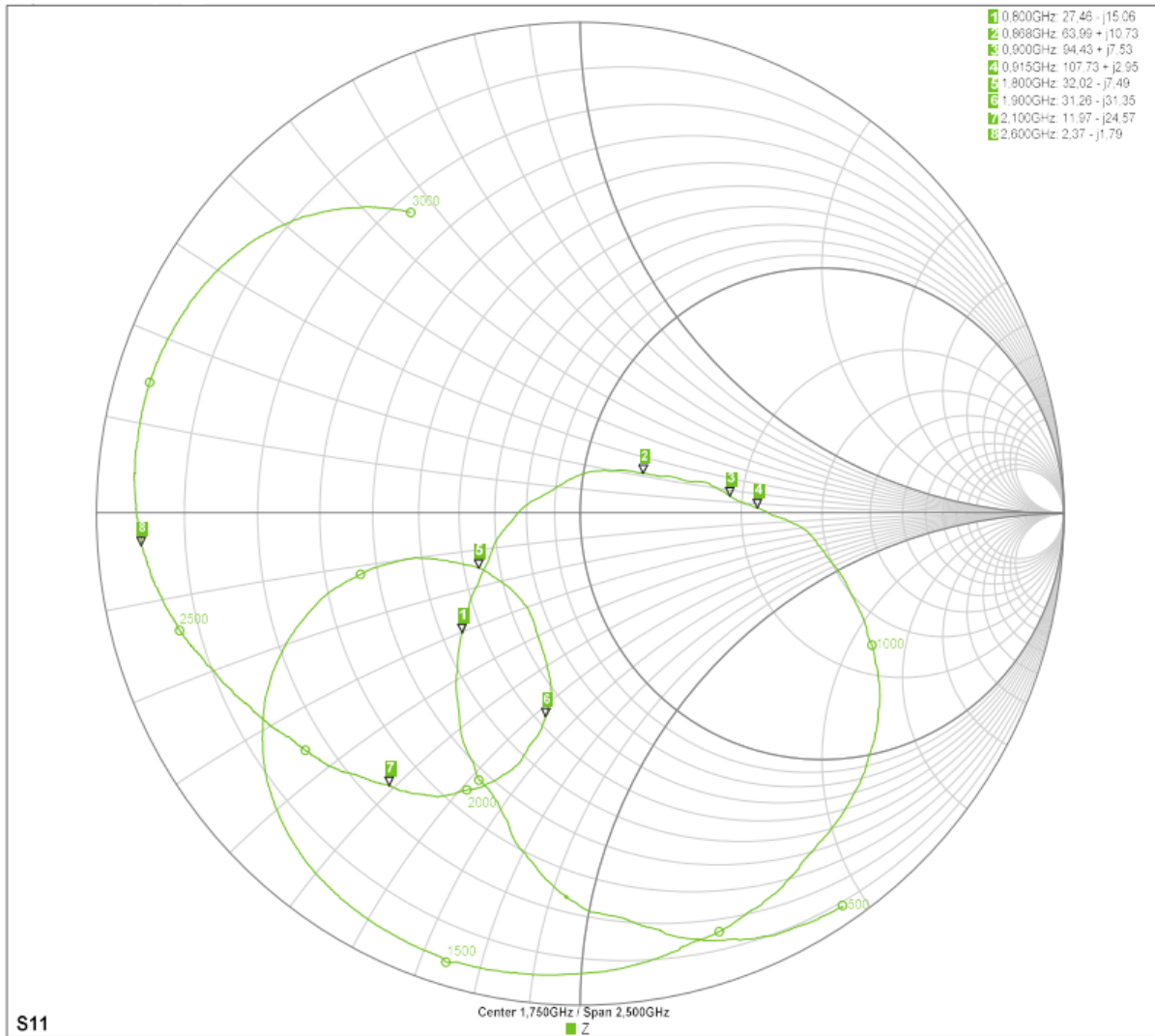
Forward Loss



Antenna, Whip R/A

ERF4032

Impedance

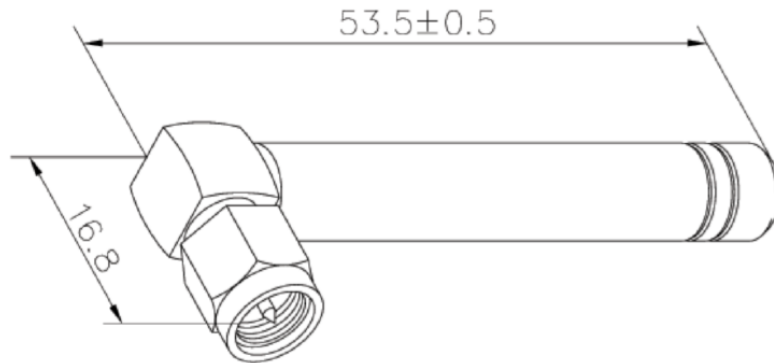


Antenna, Whip R/A

ERF4032

Dimensions

*Unit: mm



Connector



The ERF4032 antenna uses the SMA male connector.

Ordering information

Ordering can be done via www.summit-electronics.com or via info@summit-electronics.com. Please contact us for more information. Customisation of the product is available on request.

Technical support

For all product questions please contact us via info@summit-electronics.com

Document revision

Rev	Date	changes
V01.00	06-04-2023	First issue of document

Antenna, Whip R/A

ERF4032

